

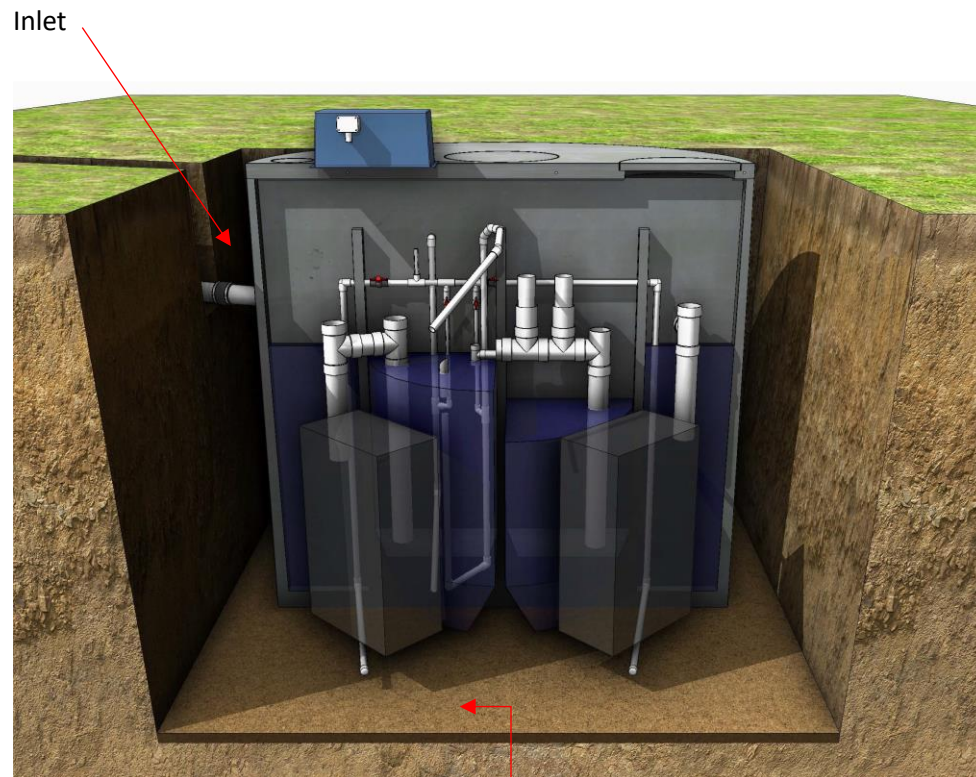
# 2500 x 2350 Tallboy Treatment Tank Excavation Drawing

Phone: 1300 580 722

Email: [support@borderwastewater.com.au](mailto:support@borderwastewater.com.au)

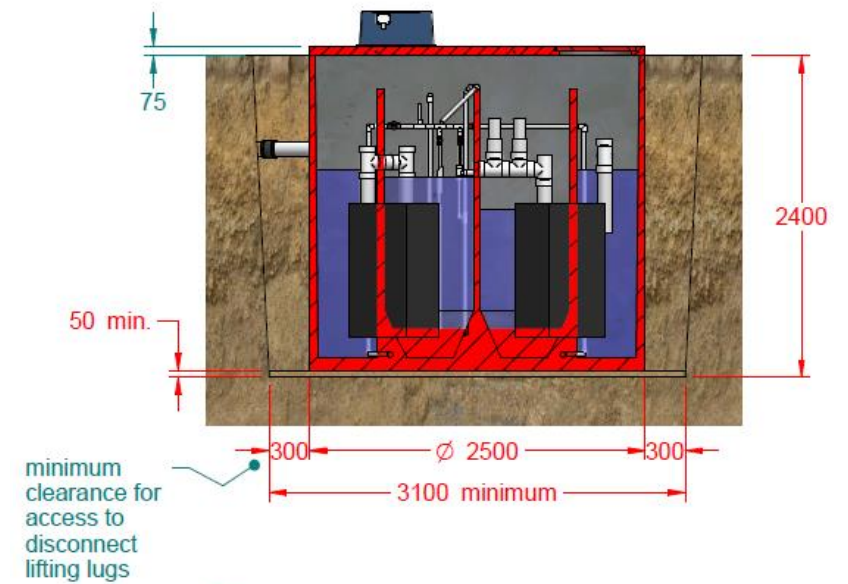


ABN: 96 606 734 310



Inlet

Minimum 50mm sand or gravel over a solid base



minimum clearance for access to disconnect lifting lugs

